

UVCS SideCure UV Light-Curing Conveyor System

- Left, right, and top curing capability
- Adjustable top lamp height and side lamp position
- 12" belt width (guides available to channel parts into center 6")
- Can be outfitted with up to eight 5000-EC UV light-curing flood lamps
- Controlled and consistent cure times
- Integral vacuum hold-down and cooling system
- Accepts parts up to 36" x 12" x 7" (L x W x H)
- Accurate digital belt control and readout
- 7" maximum parts height
- Bench-top conveyor (with optional transportation carrying cart)

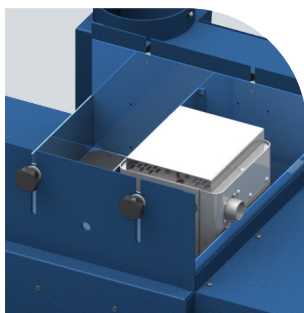
The Dymax UVCS SideCure conveyor system is designed for the UV curing of Dymax adhesives and coatings from the left, right, and/or top. The SideCure conveyor can be outfitted with up to eight 5000-EC UV curing flood lamps that offer complete shielding from UV light and consistent exposure times. The conveyor's 12" wide belt and 5" high side-curing capability makes the SideCure a very versatile UV curing solution. The SideCure conveyor is ideal for masking, medical, and electronic applications where 180° UV curing is required.

UVCS SideCure Lamp Configurations

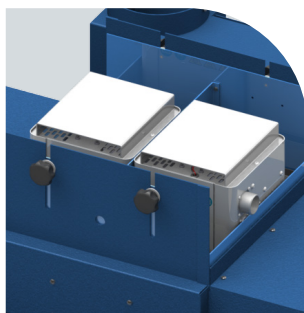
UVCS SideCure conveyors can be outfitted with one to eight 5000-EC lamps as shown below. SideCure 5000-EC UV-curing flood lamps are sold separately.

Top-Curing Configurations

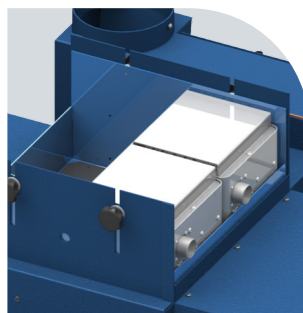
UVCS SideCure conveyors can be outfitted with one to four 5000-EC lamps on top as shown in the diagrams below. Where 5000-EC lamps are configured in series, the belt speed can be doubled, as compared to a single 5000-EC or two 5000-EC lamps side by side. SideCure 5000-EC lamps are sold separately.



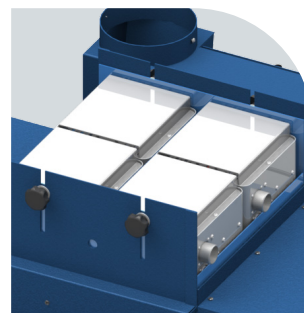
One 5000-EC lamp
center mounted
6" wide single exposure



Two 5000-EC lamps
center mounted
6" wide double exposure



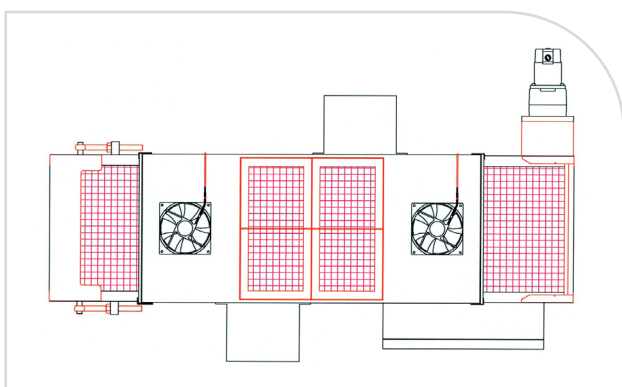
Two 5000-EC lamps
full-width mounted
12" wide single exposure



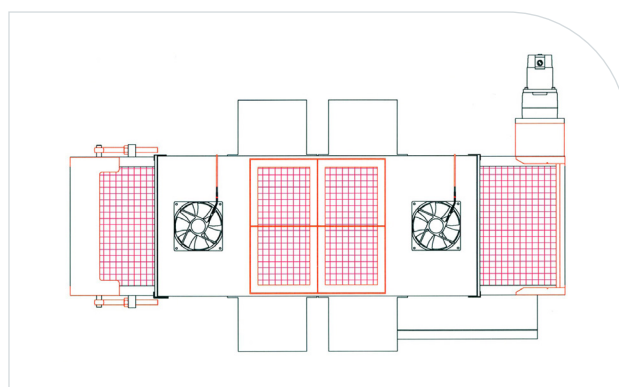
Four 5000-EC lamps
full-width mounted
12" wide double exposure

Side-Curing Configurations

UVCS SideCure conveyors can be outfitted with two or four 5000-EC lamps on the sides as shown in the diagrams below. Four side-mounted 5000-EC lamps provide twice the belt speed of two side-mounted 5000-EC configuration. SideCure 5000-EC lamps are sold separately.



View of SideCure Conveyor (from top)
Shown with two 5000-EC lamps side-mounted



View of SideCure Conveyor (from top)
Shown with four 5000-EC lamps side-mounted

Conveyor Specifications

	UVCS SideCure with up to FOUR Side Lamps (lamps sold separately)	
Part Number	39767	39766
Voltage (VAC)	120V	220/230V
Amperage (not including lamps)	1.6A	0.8A
Lamps (SideCure 5000-ECs)	Up to eight (sold separately)	
Top Lamp Orientation CM = Center Mounted FW = Full Width	Accessories included to configure top for any of the following as shown in the diagrams on page two (including part guides that channel parts into the center 6" for CM lamps): One CM, Two CM, Two FW, Four FW	
Width of Area Illuminated from Top	6" or 12" (depending upon # and orientation of lamps) (15 cm to 30 cm)	
5000-EC Maximum UVA Intensity (320-390 nm) using ACCU-CAL™ 150	225 mW/cm ²	
Side Lamp Adjustment	From 3.5" to 6" off center (9 cm to 15 cm)	
Top Lamp Adjustment	From 6.25" to 9" off the belt (16 cm to 23 cm)	
Maximum Parts Height	7" (178 cm)	
Belt Speeds (feet per minute)	1-27 fpm	
Belt Width	12" (30.5 cm)	
Overall Dimensions (L x W x H) (not including lamps)	51" x 30" x 21.5" (130 cm x 76 cm x 55 cm)	
Overall Dimensions (L x W x H) (shipping crate, not including lamps)	70" x 44" x 28.5" (178 cm x 112 cm x 72 cm)	
Shipping Weight (with crates, without lamps)	340 (154 KG)	

Lamp Specifications

	SideCure 5000-EC UV Curing Flood Lamp
Part Number	397981
Initial Intensity	225 mW/cm ²
Curing Area	5" x 5" (12.7 cm x 12.7 cm)
Working Distance	2" - 6"
Dimensions (L x W x H)	Power Supply: 16" x 11.5" x 4" (40.6 cm x 29.2 cm x 10.2 cm) Reflector Housing: 6.5" x 6" x 6" (16.5 cm x 15.2 cm x 15.2 cm)
Amperage	4.6A/2.3A
Voltage (VAC)	90-265V, 50-60 Hz
Bulb Warranty	2,000 hours
Typical Degradation	< 20% over 2,000 hours
Replacement Bulbs	38560 Metal Halide (Standard, UVA, Longwave) 36970 Mercury (UVB, Shortwave) ² 36658 Visible ³

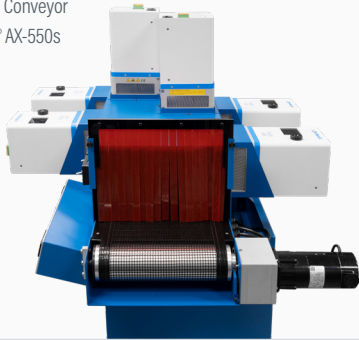
1 These 5000-EC flood lamps are specifically designed for the SideCure conveyor. Intensity, footprint, and power requirements are identical, only the connections differ.

2 These bulbs are primarily designed for curing UV inks and cationic epoxies.

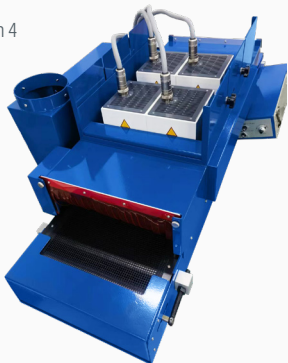
3 The bulbs are primarily designed for curing UV/visible curing adhesives through UV-blocked, but transparent substrates.

Replacement Parts & Accessories	
Accessories	
Transportation Cart	39215
ACCU-CAL™ 150 Radiometer	40550
Replacement Parts	
Tunnel Light Curtain	39807
Replacement Belt	39134
Replacement Bulb (standard)	38560
SideCure 5000-EC UV Curing Flood Lamp	39798

Custom SideCure Conveyor
with 6 BlueWave® AX-550s



Custom UVCS V2.0 with 4
BlueWave® FX-1250s



Custom Conveyor Systems

Dymax understands customers may have unique requirements for their UV curing needs. For applications that require features beyond standard conveyor system offerings, Dymax offers customized conveyor systems tailored specifically to the needs of customers.

For additional information, please contact Dymax Equipment Services at equipmentservices@dymax.com



www.dymax.com

Americas

USA | +1.860.482.1010 | info@dymax.com

Europe

Germany | +49 611.962.7900 | info_de@dymax.com
Ireland | +353 21.237.3016 | info_ie@dymax.com

Asia

Singapore | +65.67522887 | info_ap@dymax.com
China | +86.755.83485759 | dymaxasia@dymax.com
Hong Kong | +852.2460.7038 | dymaxasia@dymax.com
Korea | +82.31.608.3434 | info_kr@dymax.com